



Visible Laser Diodes

High performance
in a compact package

osram.com/os

Sensing is life

amun OSRAM

Visible InGaN laser diodes

ams OSRAM is a key player in the field of visible InGaN (Indium Gallium Nitride) lasers.

High temperature range and great optical output power of blue and green InGaN lasers

Compared to frequency-doubled lasers, direct green lasers have a high operating temperature range of up to 85 °C without active cooling, whereas single mode blue and green laser diodes deliver up to 110 mW.

High efficiency and long lifetime

Due to their excellent efficiency (ratio of light produced compared to electric power consumed), the temperature increase experienced by blue and green InGaN lasers during operation is kept to an absolute minimum, allowing them to deliver a long life – up to 10,000 hours at 60 °C.

Leading product performance and innovative packaging

Thanks to their excellent beam quality, our lasers are ideally suited for the optical imaging of light. Not only that, but their small package size is particularly beneficial to highly compact systems, such as pico projectors.

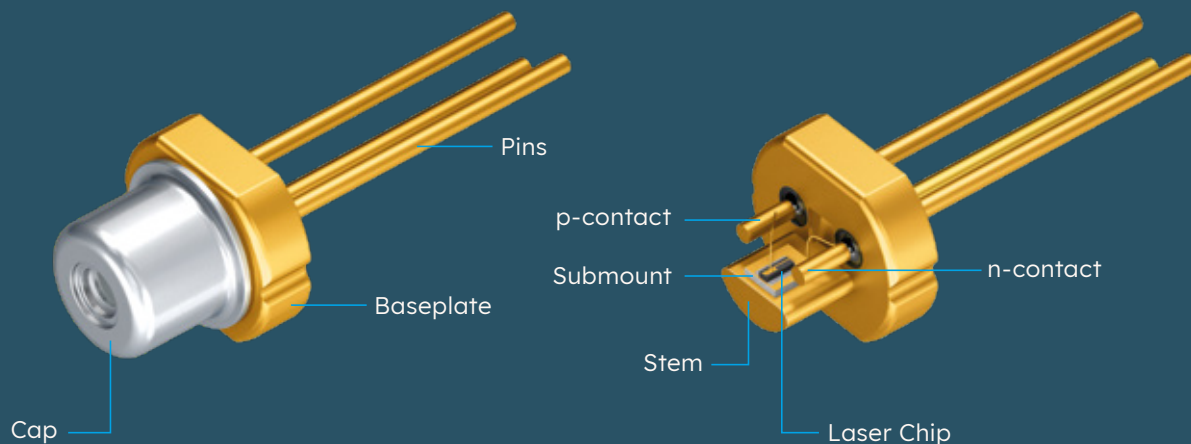
High power performance with multi-mode laser diodes

Blue multi-mode laser diodes complete our broad InGaN portfolio. We offer various versions from 1.6 to 5.0 Watt for industry and automotive applications with a typical wavelength of 447 nm.

With the help of appropriate optics, the laser light is focused at a point only a few micrometers in diameter. The laser can be directly used as a blue light source or in combination with a special phosphor for white conversion.

Laser diode package – TO Can

ams OSRAM laser diodes are edge emitters, mounted in a hermetically sealed TO metal can package (obtainable in different sizes). Reference surface for mounting and positioning the laser diode is the front and the circumference of the baseplate. The lasers are available in tiny TO38icut, TO56 and TO90 packages equipped with an integrated photodiode. They possess an optical output power from 10 mW to 5 W. Thus, they combine an unbeatable form factor with excellent beam quality, which makes them particularly suitable as light sources in automotive, industry, medical and commercial applications.



Visible InGaN laser diodes applications

ams OSRAM offers visible laser diodes based on InGaN that suit the following applications:

Projections

- Pico projection
- Business and cinema projection
- Head up display

High luminance illuminations

- Automotive auxiliary high beam
- Spot illumination

Laser illuminations

- Show laser and stage lighting
- Line and dot laser
- Biotechnology
- Spectroscopy
- Light-Diffusing Fiber
- Endoscopy



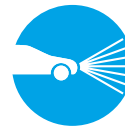
Mobile phones



Projectors



Biotechnology



Headlamps



Show lasers



Light-Diffusing Fiber

Single mode laser diodes for pico projection

Projection technologies

Imaging panels/microdisplays

- LCoS (Liquid-Crystal on Silicon)
- DMD (Digital Micromirror Device)

Scanning beam

- MEMS mirror (1D or 2D)

Scanning beam projection

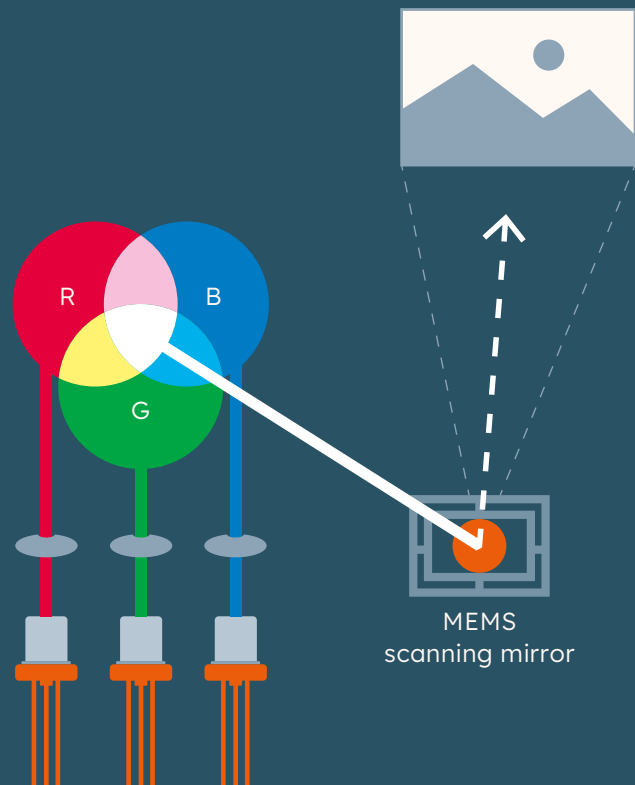
- High speed modulated lasers with MEMS scanner

Features

- Image is built sequentially pixel by pixel
- Colors are generated by intensity mixing modulated RGB-beams
- Lasers are intensity modulated at pixel frequency to achieve "grey level"

Benefits

- High contrast
- Brilliant colors (200 % NTSC)
- High efficiency, low power consumption
- Extremely small form factor ($h < 6$ mm)
- Image always remains in focus



Visible InGaN laser diodes product overview

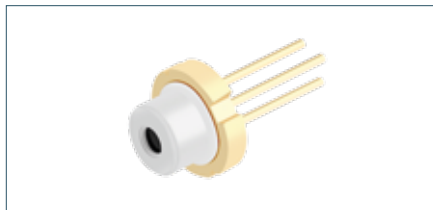
Technical data									
Description	Type	Monitor Diode	Typ. Wave-length [nm]	Optical Power [mW]	Typ. Threshold Current [mA]	Typ. Operating Current [mA]	Typ. Operating Voltage [V]	Typ. Far Field (FWHM) [°]	Package
100 mW Single Mode Blue Laser	PL 450B	-	450	100	17	90	5.5	6.5 × 22.5	TO38icut
100 mW Single Mode Blue Laser	PLT5 450B	-	450	100	17	90	5.5	6.5 × 22	TO56
60 mW Single Mode Cyan Laser	PLT5 488 *	✓	488	60	25	85	6.0	6 × 23	TO56
10 mW Single Mode Green Laser	PLT5 510*	✓	520	10	25	45	5.0	8 × 22	TO56
20 mW Single Mode Green Laser	PLT5 522EA_P *	✓	520	20	30	68	5.5	8 × 22	TO56
20 mW Single Mode Green Laser	PLT5 522EA_Q *	✓	520	20	30	68	5.5	8 × 22	TO56 ground case
30 mW Single Mode Green Laser	PL 520_B1_2 *	-	515	30	50	100	6.5	7 × 22	TO38icut
30 mW Single Mode Green Laser	PLT5 520_B1-6 *	✓	520	30	40	95	5.8	8 × 22	TO56
50 mW Single Mode Green Laser	PL 520_B1*	-	520	50	45	125	6.9	7 × 22	TO38icut
50 mW Single Mode Green Laser	PLT5 520_B1-3 *	✓	520	50	30	115	6.0	8 × 22	TO56
110 mW Single Mode Green Laser	PLT3 520D	-	520	110	40	225	7.5	7 × 23	TO38icut
110 mW Single Mode Green Laser	PLT5 520B *	✓	520	110	40	225	7.5	7 × 23	TO56
1.6 W Multi Mode Blue Laser	PLPT5 447KA	-	445	1.6 W	100	900	4.4	10 × 48 (1/e ²)	TO56
5.0 W Multi Mode Blue Laser	PLPT9 450LB_E *	-	447	5.0 W	0.29 A	3.0 A	4.3	9 × 49 (1/e ²)	TO90

* wavelength binning available

TO38icut



TO56



TO90



ams OSRAM Group

ams-osram.com

Asia

OSRAM Opto Semiconductors (China) Co., Ltd.
No.57, Xi Qin Road, Wuxi
Xinwu District, Jiangsu Province,
China, 214000
E-mail: prasia@osram-os.com

Europe

OSRAM Opto Semiconductors GmbH
Leibnizstrasse 4
93055 Regensburg, Germany
Phone: +49 941 850 1700
Fax: +49 941 850 3302
E-mail: support@osram-os.com

USA

OSRAM Opto Semiconductors Inc.
1150 Kifer Road, Suite 100
Sunnyvale, CA 94086, USA
Main Phone number: (408) 962-3700
Main Fax: (408) 738-9120
Inbound Toll Free: (866) 993-5211
E-mail: info@osram-os.com